



Solar PV Standard Plan – Simplified
Central/String Inverter Systems for
One- and Two-Family Dwellings

SCOPE: Use this plan ONLY for utility-interactive central/string inverter systems not exceeding a system AC inverter output rating of 10kW on the roof of a one- or two-family dwelling or accessory structure. The photovoltaic system must interconnect to the load side of a single-phase AC service panel of nominal 120/240Vac with a bus bar rating of 225A or less. This plan is not intended for bipolar systems, hybrid systems or systems that utilize storage batteries, charge controllers, trackers, more than two inverters or more than one DC combiner (noninverter-integrated) per inverter. Systems must be in compliance with current California Building Standards Codes and local amendments of the authority having jurisdiction (AHJ). Other Articles of the California Electrical Code (CEC) shall apply as specified in 690.3.

MANUFACTURER'S SPECIFICATION SHEETS MUST BE PROVIDED for proposed inverter, modules, combiner/junction boxes and racking systems. Installation instructions for bonding and grounding equipment shall be provided, and local AHJs may require additional details. Listed and labeled equipment shall be installed and used in accordance with any instructions included in the listing or labeling (CEC 110.3). Equipment intended for use with PV system shall be identified and listed for the application (CEC 690.4[D]).

Job Address: \_\_\_\_\_ Permit #: \_\_\_\_\_

Contractor/Engineer Name: \_\_\_\_\_ License # and Class: \_\_\_\_\_

Signature: \_\_\_\_\_ Date: \_\_\_\_\_ Phone Number: \_\_\_\_\_

Total # of Inverters installed: \_\_\_\_\_ (If more than one inverter, complete and attach the "Supplemental Calculation Sheets" and the "Load Center Calculations" if a new load center is to be used.)

Inverter 1 AC Output Power Rating: \_\_\_\_\_ Watts

Inverter 2 AC Output Power Rating (if applicable): \_\_\_\_\_ Watts

Combined Inverter Output Power Rating: \_\_\_\_\_ ≤ 10,000 Watts

Location Ambient Temperatures (Check box next to which lowest expected temperature is used):

- 1) [ ] Lowest expected ambient temperature for the location (TL) = Between -1° to -5° C
[ ] Lowest expected ambient temperature for the location (TL) = Between -6° to -10° C
Average ambient high temperature (TH) = 47° C
Note: For a lower TL or a higher TH, use the Comprehensive Standard Plan

DC Information:

|   |   |   |      |      |      |      |      |      |      |      |      |      |      |      |      |      |
|---|---|---|------|------|------|------|------|------|------|------|------|------|------|------|------|------|
| Module Manufacturer: _____ Model: _____   |   |   |      |      |      |      |      |      |      |      |      |      |      |      |      |      |
| 2) Module $V_{oc}$ (from module nameplate): _____ Volts   |   |   |      |      |      |      |      |      |      |      |      |      |      |      |      |      |
| 3) Module $V_{oc}$ (from module nameplate): _____ Volts   |   |   |      |      |      |      |      |      |      |      |      |      |      |      |      |      |
| 4) Module DC output power under standard test conditions (STC) = _____ Watts (STC)  |   |   |      |      |      |      |      |      |      |      |      |      |      |      |      |      |
| 5) DC Module Layout   |   |   |      |      |      |      |      |      |      |      |      |      |      |      |      |      |
| Identify each source circuit (string) for inverter 1 shown on the roof plan with a Tag (e.g. A,B,C,...)   | Number of modules per source circuit for inverter 1   | Identify, by tag, which source circuits on the roof are to be paralleled (if none, put N/A) |      |      |      |      |      |      |      |      |      |      |      |      |      |      |
|   |   | Combiner 1:   |      |      |      |      |      |      |      |      |      |      |      |      |      |      |
|   |   |   |      |      |      |      |      |      |      |      |      |      |      |      |      |      |
|   |   |   |      |      |      |      |      |      |      |      |      |      |      |      |      |      |
|   |   | Combiner 2:   |      |      |      |      |      |      |      |      |      |      |      |      |      |      |
|   |   |   |      |      |      |      |      |      |      |      |      |      |      |      |      |      |
|   |   |   |      |      |      |      |      |      |      |      |      |      |      |      |      |      |
| Total number of source circuits for inverter 1: _____   |   |   |      |      |      |      |      |      |      |      |      |      |      |      |      |      |
| 6) Are DC/DC Converters used? <input type="checkbox"/> Yes <input type="checkbox"/> No If No, skip to Step 7. If Yes enter info below.  |   |   |      |      |      |      |      |      |      |      |      |      |      |      |      |      |
| DC/DC Converter Model #: _____  | DC/DC Converter Max DC Input Voltage: _____ Volts Max |   |      |      |      |      |      |      |      |      |      |      |      |      |      |      |
| Max DC Output Current: _____ Amps   | DC Output Current: _____ Volts                        |   |      |      |      |      |      |      |      |      |      |      |      |      |      |      |
| Max # of DC/DC Converters in an Input Circuit: _____  | DC/DC Converter Max DC Input Power: _____ Watts       |   |      |      |      |      |      |      |      |      |      |      |      |      |      |      |
| 7) Maximum System DC Voltage –<br>Use A1 or A2 for systems without DC/DC converters, and B1 or B2 with DC/DC Converters.  |   |   |      |      |      |      |      |      |      |      |      |      |      |      |      |      |
| <input type="checkbox"/> A1. Module $V_{oc}$ (STEP 2) = _____ x # in series (STEP 5) _____ x 1.12 (If $-1 \leq T_c \leq -5^\circ\text{C}$ , STEP 1) = _____ V<br><input type="checkbox"/> A2. Module $V_{oc}$ (STEP 2) = _____ x # in series (STEP 5) _____ x 1.14 (If $-6 \leq T_c \leq -10^\circ\text{C}$ , STEP 1) = _____ V |   |   |      |      |      |      |      |      |      |      |      |      |      |      |      |      |
| <b>Table 2. Largest Module <math>V_{oc}</math> for Single-Module DC/DC Converter Configurations (with 80 V AFCI Cap) (CEC 690.7 and 690.11)</b>   |   |   |      |      |      |      |      |      |      |      |      |      |      |      |      |      |
| Max. Rated Module $V_{oc}$ (*1.12)<br>(Volts)   | 30.4  | 33.0  | 35.7 | 38.4 | 41.1 | 43.8 | 46.4 | 49.1 | 51.8 | 54.5 | 57.1 | 59.8 | 62.5 | 65.2 | 67.9 | 70.5 |
| Max. Rated Module $V_{oc}$ (*1.14)<br>(Volts)   | 29.8  | 32.5  | 35.1 | 37.7 | 40.4 | 43.0 | 45.6 | 48.2 | 50.9 | 53.5 | 56.1 | 58.8 | 61.4 | 64.0 | 66.7 | 69.3 |
| DC/DC Converter Max DC Input<br>(Step #6) (Volts)   | 34  | 37  | 40   | 43   | 46   | 49   | 52   | 55   | 58   | 61   | 64   | 67   | 70   | 73   | 76   | 79   |

Use for DC/DC converters. The value calculated below must be less than DC/DC converter max DC input voltage (STEP 6).

- B1. Module  $V_{oc}$  (STEP 2) = \_\_\_\_\_ x # of modules per converter (STEP 6) \_\_\_\_\_ x 1.12 (If  $-1 \leq T_l \leq -5^\circ\text{C}$ , STEP 1) = \_\_\_\_\_ V
- B2. Module  $V_{oc}$  (STEP 2) = \_\_\_\_\_ x # of modules per converter (STEP 6) \_\_\_\_\_ x 1.14 (If  $-6 \leq T_l \leq -10^\circ\text{C}$ , STEP 1) = \_\_\_\_\_ V

| Table 1. Maximum Number of PV Modules in Series Based on Module Rated $V_{oc}$ for 600 Vdc Rated Equipment (CEC 690.7) |       |       |       |       |       |       |       |       |       |       |       |       |       |
|--|-------|-------|-------|-------|-------|-------|-------|-------|-------|-------|-------|-------|-------|
| Max. Rated Module $V_{oc}$ (*1.12) (Volts)   | 29.76 | 31.51 | 33.48 | 35.71 | 38.27 | 41.21 | 44.64 | 48.70 | 53.57 | 59.52 | 66.96 | 76.53 | 89.29 |
| Max. Rated Module $V_{oc}$ (*1.14) (Volts)   | 29.24 | 30.96 | 32.89 | 35.09 | 37.59 | 40.49 | 43.86 | 47.85 | 52.63 | 58.48 | 65.79 | 75.19 | 87.72 |
| Max # of Modules for 600 Vdc   | 18    | 17    | 16    | 15    | 14    | 13    | 12    | 11    | 10    | 9     | 8     | 7     | 6     |

8) Maximum System DC Voltage from DC/DC Converters to Inverter — Only required if Yes in Step 6  
Maximum System DC Voltage = \_\_\_\_\_ Volts

9) Maximum Source Circuit Current  
Is Module  $I_{SC}$  below 9.6 Amps (Step 3)?  Yes  No (If No, use Comprehensive Standard Plan)

10) Sizing Source Circuit Conductors  
Source Circuit Conductor Size = Min. #10 AWG copper conductor, 90° C wet (USE-2, PV Wire, XHHW-2, THWN-2, RHW-2)  
For up to 8 conductors in roof-mounted conduit exposed to sunlight at least ½" from the roof covering (CEC 310)

Note: For over 8 conductors in the conduit or mounting height of lower than ½" from the roof, use Comprehensive Plan.

11) Are PV source circuits combined prior to the inverter?  Yes  No  
If No, use Single Line Diagram 1 and proceed to Step 13.  
If Yes, use Single Line Diagram 2 with Single Line Diagram 4 and proceed to Step 12.  
Is source circuit OCPD required?  Yes  No  
Source circuit OCPD size (if needed): 15 Amps

12) Sizing PV Output Circuit Conductors - If a combiner box will NOT be used (Step 11), Output Circuit Conductor Size = Min. #6 AWG copper conductor

13) Inverter DC Disconnect  
Does the inverter have an integrated DC disconnect?  Yes  No If Yes, proceed to step 14.  
If No, the external DC disconnect to be installed is rated for \_\_\_\_\_ Amps (DC) and \_\_\_\_\_ Volts (DC)

14) Inverter Information  
Manufacturer: \_\_\_\_\_ Model: \_\_\_\_\_  
Max. Continuous AC Output Current Rating: \_\_\_\_\_ Amps  
Integrated DC Arc-Fault Circuit Protection?  Yes  No  
(If No is selected, Comprehensive Standard Plan)  
Grounded or Ungrounded System?  Grounded  Ungrounded

**AC Information:**

**15) Sizing Inverter Output Circuit Conductors and OCPD**

Inverter Output OCPD rating = \_\_\_\_\_ Amps (Table 3)

Inverter Output Circuit Conductor Size = \_\_\_\_\_ AMG (Table 3)

| Table 3. Minimum Inverter Output OCPD and Circuit Conductor Size |    |    |    |    |    |    |    |    |    |
|--|----|----|----|----|----|----|----|----|----|
| Inverter Continuous Output Current Rating (Amps) (Step 14)       | 12 | 16 | 20 | 24 | 28 | 32 | 36 | 40 | 48 |
| Minimum OCPD Size (Amps)   | 15 | 20 | 25 | 30 | 35 | 40 | 45 | 50 | 60 |
| Minimum Conductor Size (AWG, 75° C, Copper)                      | 14 | 12 | 10 | 10 | 8  | 8  | 6  | 6  | 6  |

**16) Point of Connection to Utility**

Only load side connections are permitted with this plan. Otherwise, use Comprehensive Standard Plan.

Is the PV OCPD positioned at the opposite end from input feeder location or main OCPD location?  Yes  No

If Yes, circle the Max Combined PV System OCPD(s) at 120% value as determined from Step 15 (or Step S20), bus bar Rating, and Main OCPD as shown in Table 4. If No, circle the Max Combined PV System OCPD(s) at 100% value as determined from Step 15 (or Step S20), bus bar Rating, and Main OCPD as shown in Table 4.

Per 705.12(D)(2): [Inverter output OCPD size [Step #15 or S20] + Main OCPD Size] ≤ [bus size x (100% or 120%)]

| Table 4. Maximum Combined Supply OCPDs Based on Bus Bar Rating (Amps) per CEC 705.12(D)(2) |     |     |     |     |     |     |     |     |     |  |
|--|-----|-----|-----|-----|-----|-----|-----|-----|-----|--|
| Bus Bar Rating   | 100 | 125 | 125 | 200 | 200 | 200 | 225 | 225 | 225 |  |
| Main OCPD  | 100 | 100 | 125 | 150 | 175 | 200 | 175 | 200 | 225 |  |
| Max Combined PV System OCPD(s) at 120% of Bus Bar Rating                                   | 20  | 50  | 25  | 60* | 60* | 40  | 60* | 60* | 45  |  |
| Max Combined PV System OCPD(s) at 100% Bus Bar Rating                                      | 0   | 25  | 0   | 50  | 25  | 0   | 50  | 25  | 0   |  |

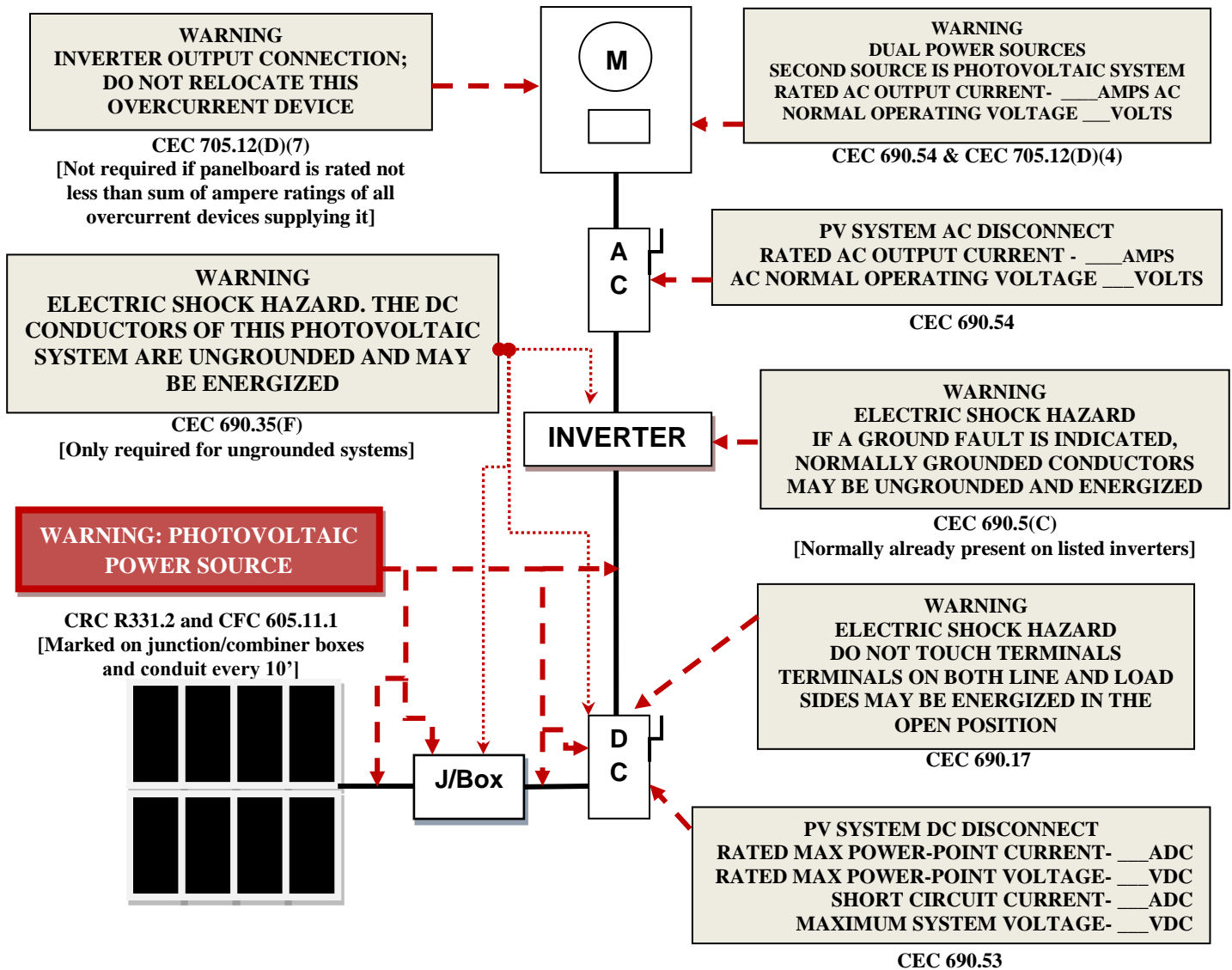
**17 & 18 & 19) Labels and Grounding and Bonding**

This content is covered by the labels on the next page and the Single Line Diagram(s). For background information, refer to the Comprehensive Standard Plan.

## Solar PV Standard Plan – Simplified Central/String Inverter Systems for One- and Two-Family Dwellings

### Markings

CEC Articles 690 and 705 and CRC Section R331 require the following labels or markings be installed at these components of the photovoltaic system:



**Code Abbreviations:**

- California Electrical Code (CEC)
- California Residential Code (CRC)
- California Fire Code (CFC)

Informational note: ANSI Z535.4 provides guidelines for the design of safety signs and labels for application to products. A phenolic plaque with contrasting colors between the text and background would meet the intent of the code for permanency. No type size is specified, but 20 point (3/8") should be considered the minimum.

CEC 705.12 requires a permanent plaque or directory denoting all electric power sources on or in the premises.

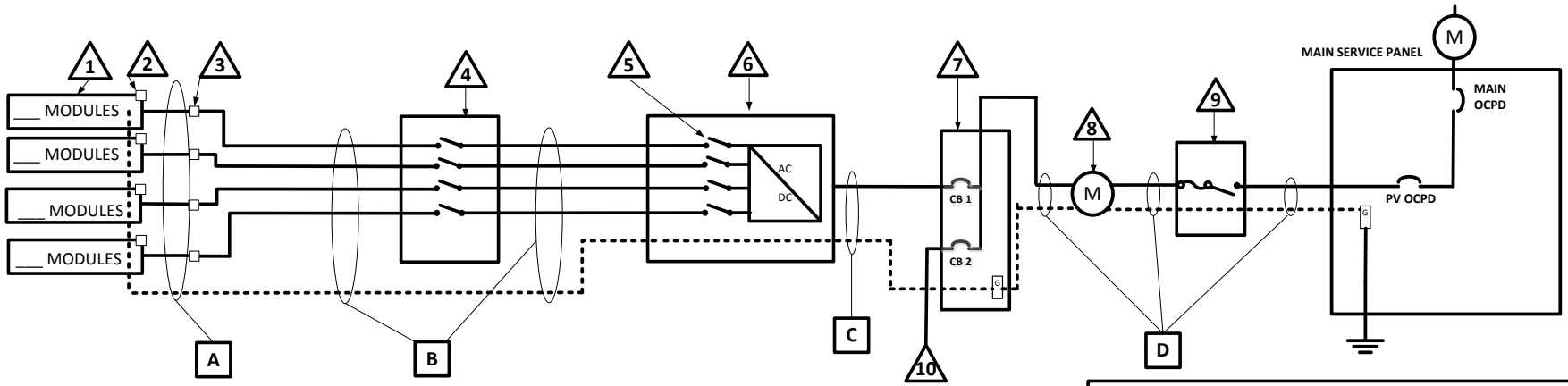
## Solar PV Standard Plan – Simplified Central/String Inverter System for One- and Two-Family Dwellings

| △TAG | DESCRIPTION   |
|------|---|
| 1    | SOLAR PV MODULE / STRING  |
| 2    | DC/DC CONVERTERS INSTALLED? YES / NO (IF YES, STEPS 6 & 8 REQUIRED) |
| 3    | SOURCE CIRCUIT JUNCTION BOX INSTALLED?: YES / NO                    |
| 4    | SEPARATE DC DISCONNECT INSTALLED?: YES / NO                         |
| 5    | INTERNAL INVERTER DC DISCONNECT: YES / NO                           |
| 6    | CENTRAL INVERTER  |
| 7    | LOAD CENTER INSTALLED?: YES / NO                                    |
| 8    | PV PRODUCTION METER INSTALLED?: YES / NO                            |
| 9    | SEPARATE AC DISCONNECT INSTALLED?: YES / NO                         |
| 10   | CONNECT TO INVERTER #2 (USE LINE DIAGRAM 2)                         |

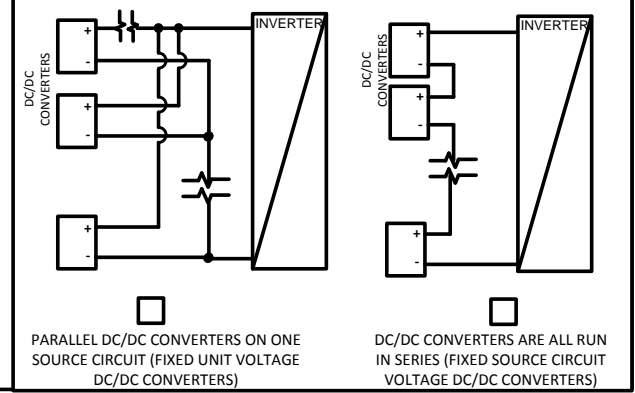
### SINGLE-LINE DIAGRAM #1 – NO STRINGS COMBINED PRIOR TO INVERTER

CHECK A BOX FOR WHETHER SYSTEM IS GROUNDED OR UNGROUNDED:  GROUNDED (INCLUDE GEC)  UNGROUNDED

FOR UNGROUNDED SYSTEMS:  
 - DC OCPD MUST DISCONNECT BOTH CONDUCTORS OF EACH SOURCE CIRCUIT  
 - UNGROUNDED CONDUCTORS MUST BE IDENTIFIED PER 210.5(C). WHITE-FINISHED CONDUCTORS ARE NOT PERMITTED.



IF DC/DC CONVERTERS ARE USED, CHECK THE BOX BELOW THE CORRESPONDING CONFIGURATION



| CONDUCTOR/CONDUIT SCHEDULE |  |                |                      |                    |              |
|----------------------------|--|----------------|----------------------|--------------------|--------------|
| □ TAG                      | DESCRIPTION AND CONDUCTOR TYPE                                     | CONDUCTOR SIZE | NUMBER OF CONDUCTORS | CONDUIT/CABLE TYPE | CONDUIT SIZE |
| A                          | USE-2 <input type="checkbox"/> OR PV-WIRE <input type="checkbox"/> |                |                      |                    |              |
|                            | EGC/GEC:   |                |                      |                    |              |
| B                          |  |                |                      |                    |              |
|                            | EGC/GEC:   |                |                      |                    |              |
| C                          |  |                |                      |                    |              |
|                            | EGC/GEC:   |                |                      |                    |              |
| D                          |  |                |                      |                    |              |
|                            | EGC/GEC:   |                |                      |                    |              |

ENTER "N/A" WHERE SUITABLE FOR WHEN NOT USING CONDUIT OR CABLE AS PERMITTED BY CODE

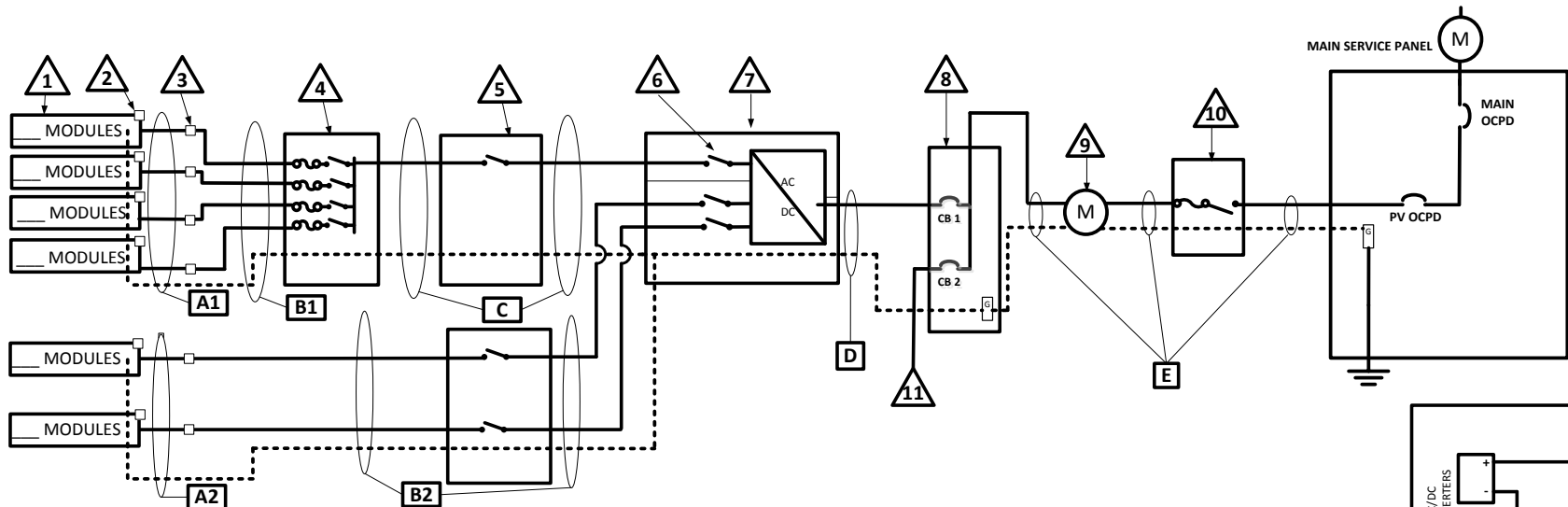
## Solar PV Standard Plan – Simplified Central/String Inverter System for One- and Two-Family Dwellings

| △ TAG | DESCRIPTION   |
|-------|---|
| 1     | SOLAR PV MODULE / STRING  |
| 2     | DC/DC CONVERTERS INSTALLED? YES / NO (IF YES, STEPS 6 & 8 REQUIRED) |
| 3     | SOURCE CIRCUIT JUNCTION BOX INSTALLED?: YES / NO                    |
| 4     | COMBINER BOX (STEPS 11 & 12 REQUIRED)                               |
| 5     | SEPARATE DC DISCONNECT INSTALLED?: YES / NO                         |
| 6     | INTERNAL INVERTER DC DISCONNECT: YES / NO                           |
| 7     | CENTRAL INVERTER  |
| 8     | LOAD CENTER INSTALLED?: YES / NO                                    |
| 9     | PV PRODUCTION METER INSTALLED?: YES / NO                            |
| 10    | SEPARATE AC DISCONNECT INSTALLED?: YES / NO                         |
| 11    | CONNECT TO INVERTER #2 (USE LINE DIAGRAM 4)                         |

### SINGLE-LINE DIAGRAM #2 – COMBINING STRINGS PRIOR TO INVERTER

CHECK A BOX FOR WHETHER SYSTEM IS GROUNDED OR UNGROUNDED:  GROUNDED (INCLUDE GEC)  UNGROUNDED

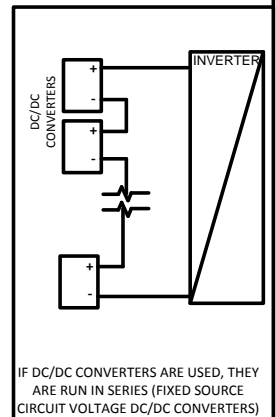
FOR UNGROUNDED SYSTEMS:  
 - DC OCPD MUST DISCONNECT BOTH CONDUCTORS OF EACH SOURCE CIRCUIT  
 - UNGROUNDED CONDUCTORS MUST BE IDENTIFIED PER 210.5(C). WHITE-FINISHED CONDUCTORS ARE NOT PERMITTED.



| COMBINER CONDUCTOR/CONDUIT SCHEDULE |  |                |                      |                    |              |
|-------------------------------------|--|----------------|----------------------|--------------------|--------------|
| □ TAG                               | DESCRIPTION AND CONDUCTOR TYPE                                     | CONDUCTOR SIZE | NUMBER OF CONDUCTORS | CONDUIT/CABLE TYPE | CONDUIT SIZE |
| A1                                  | USE-2 <input type="checkbox"/> OR PV-WIRE <input type="checkbox"/> |                |                      |                    |              |
|                                     | EGC/GEC:   |                |                      |                    |              |
| B1                                  |  |                |                      |                    |              |
|                                     | EGC/GEC:   |                |                      |                    |              |
| C                                   |  |                |                      |                    |              |
|                                     | EGC/GEC:   |                |                      |                    |              |
| D                                   |  |                |                      |                    |              |
|                                     | EGC/GEC:   |                |                      |                    |              |
| E                                   |  |                |                      |                    |              |
|                                     | EGC/GEC:   |                |                      |                    |              |

| NON-COMBINED STRINGS CONDUCTOR/CONDUIT SCHEDULE (IF APPLICABLE) |  |                |                      |                    |              |
|---|--|----------------|----------------------|--------------------|--------------|
| □ TAG   | DESCRIPTION AND CONDUCTOR TYPE                                     | CONDUCTOR SIZE | NUMBER OF CONDUCTORS | CONDUIT/CABLE TYPE | CONDUIT SIZE |
| A2  | USE-2 <input type="checkbox"/> OR PV-WIRE <input type="checkbox"/> |                |                      |                    |              |
|   | EGC/GEC:   |                |                      |                    |              |
| B2  |  |                |                      |                    |              |
|   | EGC/GEC:   |                |                      |                    |              |

ENTER "N/A" WHERE SUITABLE FOR WHEN NOT USING CONDUIT OR CABLE AS PERMITTED BY CODE



### Supplemental Calculation Sheets for Inverter #2 (Only include if second inverter is used)

**DC Information:**

Module Manufacturer: \_\_\_\_\_ Model: \_\_\_\_\_

S2) Module  $V_{oc}$  (from module nameplate): \_\_\_\_\_ Volts

S3) Module  $I_{sc}$  (from module nameplate): \_\_\_\_\_ Amps

S4) Module DC output power under standard test conditions (STC) = \_\_\_\_\_ Watts

**S5) DC Module Layout**

| Identify each source circuit (string) for inverter 1 shown on the roof plan with a Tag (e.g. A,B,C,...) | Number of modules per source circuit for inverter 1 | Identify, by tag, which source circuits on the roof are to be Paralleled (if none, put N/A) |
|---|---|---|
|   |   | Combiner 1  |
|   |   |   |
|   |   |   |
|   |   | Combiner 2  |
|   |   |   |
|   |   |   |
| Total number of source circuits for inverter 1  |   |   |

**S6) Are DC/DC Converters used?**  Yes  No If No, skip to Step S7. If Yes, enter info below.

|  |  |
|--|--|
| DC/DC Converter Model #: _____<br>Max DC Output Current: _____ Amps<br>Max # of DC/DC Converters in an Input Circuit: ____ | DC/DC Converter Max DC Input Voltage: _____ Volts Max DC Output Current: _____ Volts DC/DC Converter Max DC Input Power: _____ Watts |
|--|--|

**S7) Maximum System DC Voltage - Use A1 or A2 for systems without DC/DC converters, and B1 or B2 with DC/DC Converters.**

- A1. Module  $V_{oc}$  (STEP S2) = \_\_\_\_\_ x # in series (STEP S5) \_\_\_\_\_ x 1.12 (If  $-1 \leq T_l \leq -5^\circ\text{C}$ , STEP S1) = \_\_\_\_\_ V
- A2. Module  $V_{oc}$  (STEP S2) = \_\_\_\_\_ x # in series (STEP S5) \_\_\_\_\_ x 1.14 (If  $-6 \leq T_l \leq -10^\circ\text{C}$ , STEP S1) = \_\_\_\_\_ V

| Table 1. Maximum Number of PV Modules in Series Based on Module Rated $V_{oc}$ for 600 Vdc Rated Equipment (CEC 690.7) |       |       |       |       |       |       |       |       |       |       |       |       |       |
|--|-------|-------|-------|-------|-------|-------|-------|-------|-------|-------|-------|-------|-------|
| Max. Rated Module $V_{oc}$ (*1.12)<br>(Volts)  | 29.76 | 31.51 | 33.48 | 35.71 | 38.27 | 41.21 | 44.64 | 48.70 | 53.57 | 59.52 | 66.96 | 76.53 | 89.29 |
| Max. Rated Module $V_{oc}$ (*1.14)<br>(Volts)  | 29.24 | 30.96 | 32.89 | 35.09 | 37.59 | 40.49 | 43.86 | 47.85 | 52.63 | 58.48 | 65.79 | 75.19 | 87.72 |
| Max # of Modules for 600 Vdc   | 18    | 17    | 16    | 15    | 14    | 13    | 12    | 11    | 10    | 9     | 8     | 7     | 6     |



Use for DC/DC converters. The value calculated below must be less than DC/DC converter max DC input voltage (STEP S6).

- B1. Module  $V_{oc}$  (STEP S2) = \_\_\_\_\_ x # of modules per converter (STEP S6) \_\_\_\_\_ x 1.12 (If  $-1 \leq T_1 \leq -5^\circ\text{C}$ , STEP S1) = \_\_\_\_\_
- B2. Module  $V_{oc}$  (STEP S2) = \_\_\_\_\_ # of modules per converter (STEP S6) \_\_\_\_\_ x 1.14 (If  $-6 \leq T_1 \leq -10^\circ\text{C}$ , STEP S1) = \_\_\_\_\_

|   |      |      |      |      |      |      |      |      |      |      |      |      |      |      |      |      |
|---|------|------|------|------|------|------|------|------|------|------|------|------|------|------|------|------|
| Max. Rated Module $V_{oc}$ (*1.12) (Volts)    | 30.4 | 33.0 | 35.7 | 38.4 | 41.1 | 43.8 | 46.4 | 49.1 | 51.8 | 54.5 | 57.1 | 59.8 | 62.5 | 65.2 | 67.9 | 70.5 |
| Max. Rated Module $V_{oc}$ (*1.14) (Volts)    | 29.8 | 32.5 | 35.1 | 37.7 | 40.4 | 43.0 | 45.6 | 48.2 | 50.9 | 53.5 | 56.1 | 58.8 | 61.4 | 64.0 | 66.7 | 69.3 |
| DC/DC Converter Max DC Input (Step 6) (Volts) | 34   | 37   | 40   | 43   | 46   | 49   | 52   | 55   | 58   | 61   | 64   | 67   | 70   | 73   | 76   | 79   |

S8) Maximum System DC Voltage from DC/DC Converters to Inverter – Only required if Yes in S6  
Maximum System DC Voltage = \_\_\_\_\_ Volts

S9) Maximum Source Circuit Current  
Is Module  $I_{sc}$  below 9.6 Amps (Step S3)?  Yes  No (If No, use Comprehensive Standard Plan)

S10) Sizing Source Circuit Conductors  
Source Circuit Conductor Size = Min. #10 AWG copper conductor, 90° C wet (USE-2, PV Wire, XHHW-2, THWN-2, RHW-2)  
For up to 8 conductors in roof-mounted conduit exposed to sunlight at least 1/2" from the roof covering (CEC 310)  
Note: For over 8 conductors in the conduit or mounting height of lower than 1/2" from the roof, use Comprehensive Plan.

S11) Are PV source circuits combined prior to the inverter?  Yes  No  
If No, use Single Line Diagram 1 and proceed to Step S13.  
If Yes, use Single Line Diagram 2 with Single Line Diagram 4 and proceed to Step S12.  
Is source circuit OCPD required?  Yes  No  
Source circuit OCPD size (if needed): 15 Amps

S12) Sizing PV Output Circuit Conductors — If a combiner box will NOT be used (Step S11),  
Output Circuit Conductor Size = Min. #6 AWG copper conductor

S13) Inverter DC Disconnect  
Does the inverter have an integrated DC disconnect?  Yes  No If Yes, proceed to Step S14.  
If No, the external DC disconnect to be installed is rated for \_\_\_\_\_ Amps (DC) and \_\_\_\_\_ Volts (DC)

S14) Inverter Information  
Manufacturer: \_\_\_\_\_ Model: \_\_\_\_\_  
Max. Continuous AC Output Current Rating: \_\_\_\_\_ Amps  
Integrated DC Arc-Fault Circuit Protection?  Yes  No (If no is selected, Comprehensive Standard Plan Grounded or Ungrounded System?  Grounded  Ungrounded)

AC Information:

S15) Sizing Inverter Output Circuit Conductors and OCPD  
Inverter Output OCPD rating = \_\_\_\_\_ Amps (Table 3)  
Inverter Output Circuit Conductor Size = \_\_\_\_\_ AWG (Table 3)

|  |    |    |    |    |    |    |    |    |    |
|--|----|----|----|----|----|----|----|----|----|
| Inverter Continuous Output Current Rating (Amps) (Step 14) | 12 | 16 | 20 | 24 | 28 | 32 | 36 | 40 | 48 |
| Minimum OCPD Size (Amps)                                   | 15 | 20 | 25 | 30 | 35 | 40 | 45 | 50 | 60 |
| Minimum Conductor Size (AWG, 75° C, Copper)                | 14 | 12 | 10 | 10 | 8  | 8  | 6  | 6  | 6  |

**Load Center Calculations  
(Omit if a load center will not be installed for PV OCPDs)**

S20) Load Center Output:

Calculate the sum of the maximum AC outputs from each inverter.

Inverter #1 Max Continuous AC Output Current Rating [STEP S14] \_\_\_\_\_ × 1.25 = \_\_\_\_\_ Amps

Inverter #2 Max Continuous AC Output Current Rating [STEP S14] \_\_\_\_\_ × 1.25 = \_\_\_\_\_ Amps

Total inverter currents connected to load center (sum of above) = \_\_\_\_\_ Amps

Conductor Size: \_\_\_\_\_ AWG

Overcurrent Protection Device: \_\_\_\_\_ Amps

Load center bus bar rating: \_\_\_\_\_ Amps

The sum of the ampere ratings of overcurrent devices in circuits supplying power to a bus bar or conductor shall not exceed 120 percent of the rating of the bus bar or conductor.

## Solar PV Standard Plan – Simplified Central/String Inverter System for One- and Two-Family Dwellings

| △ TAG | DESCRIPTION   |
|-------|---|
| 1     | SOLAR PV MODULE / STRING  |
| 2     | DC/DC CONVERTERS INSTALLED? YES / NO (IF YES, STEPS 6 & 8 REQUIRED) |
| 3     | SOURCE CIRCUIT JUNCTION BOX INSTALLED?: YES / NO                    |
| 4     | SEPARATE DC DISCONNECT INSTALLED?: YES / NO                         |
| 5     | INTERNAL INVERTER DC DISCONNECT: YES / NO                           |
| 6     | CENTRAL INVERTER  |
| 7     | SEPARATE AC DISCONNECT INSTALLED?: YES / NO                         |
| 8     | TO LOAD CENTER ON LINE DIAGRAM 1                                    |

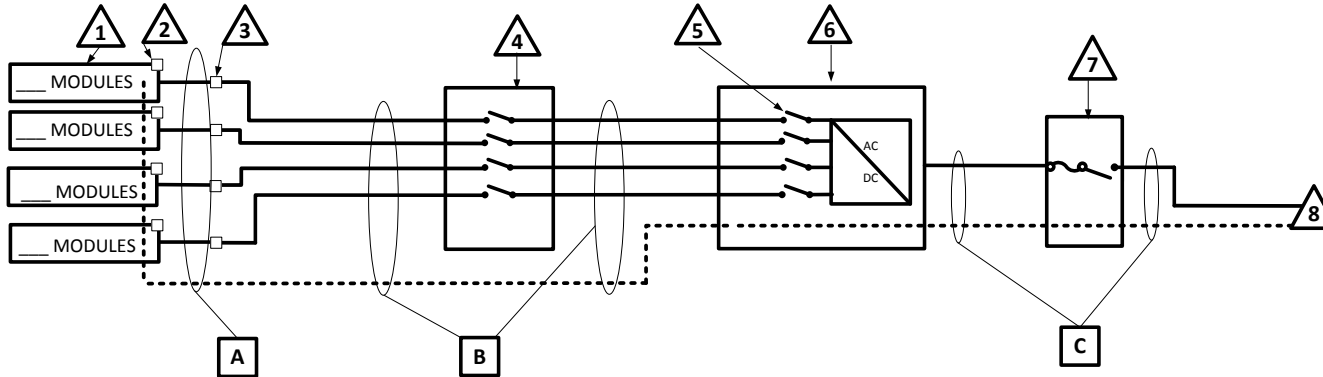
### SINGLE-LINE DIAGRAM #3 – ADDITIONAL INVERTER FOR DIAGRAM #1

#### INVERTER # 2

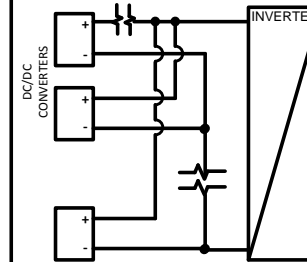
CHECK A BOX FOR WHETHER SYSTEM IS GROUNDED OR UNGROUNDED:  GROUNDED (INCLUDE GEC)  UNGROUNDED

**FOR UNGROUNDED SYSTEMS:**

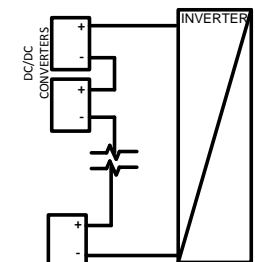
- DC OCPD MUST DISCONNECT BOTH CONDUCTORS OF EACH SOURCE CIRCUIT
- UNGROUNDED CONDUCTORS MUST BE IDENTIFIED PER 210.5(C). WHITE-FINISHED CONDUCTORS ARE NOT PERMITTED.



IF DC/DC CONVERTERS ARE USED, CHECK THE BOX BELOW THE CORRESPONDING CONFIGURATION



PARALLEL DC/DC CONVERTERS ON ONE SOURCE CIRCUIT (FIXED UNIT VOLTAGE DC/DC CONVERTERS)



DC/DC CONVERTERS ARE ALL RUN IN SERIES (FIXED SOURCE CIRCUIT VOLTAGE DC/DC CONVERTERS)

#### CONDUCTOR/CONDUIT SCHEDULE

| <input type="checkbox"/> TAG | DESCRIPTION AND CONDUCTOR TYPE                                     | CONDUCTOR SIZE | NUMBER OF CONDUCTORS | CONDUIT/CABLE TYPE | CONDUIT SIZE |
|------------------------------|--|----------------|----------------------|--------------------|--------------|
| A                            | USE-2 <input type="checkbox"/> OR PV-WIRE <input type="checkbox"/> |                |                      |                    |              |
|                              | EGC/GEC:   |                |                      |                    |              |
| B                            |  |                |                      |                    |              |
|                              | EGC/GEC:   |                |                      |                    |              |
| C                            |  |                |                      |                    |              |
|                              | EGC/GEC:   |                |                      |                    |              |

ENTER "N/A" WHERE SUITABLE FOR WHEN NOT USING CONDUIT OR CABLE AS PERMITTED BY CODE

## Solar PV Standard Plan – Simplified Central/String Inverter System for One- and Two-Family Dwellings

| △ TAG | DESCRIPTION   |
|-------|---|
| 1     | SOLAR PV MODULE / STRING  |
| 2     | DC/DC CONVERTERS INSTALLED? YES / NO (IF YES, STEPS 6 & 8 REQUIRED) |
| 3     | SOURCE CIRCUIT JUNCTION BOX INSTALLED?: YES / NO                    |
| 4     | COMBINER BOX (STEPS 11 & 12 REQUIRED)                               |
| 5     | SEPARATE DC DISCONNECT INSTALLED?: YES / NO                         |
| 6     | INTERNAL INVERTER DC DISCONNECT: YES / NO                           |
| 7     | CENTRAL INVERTER  |
| 8     | SEPARATE AC DISCONNECT INSTALLED?: YES / NO                         |
| 9     | TO LOAD CENTER ON LINE DIAGRAM 3                                    |

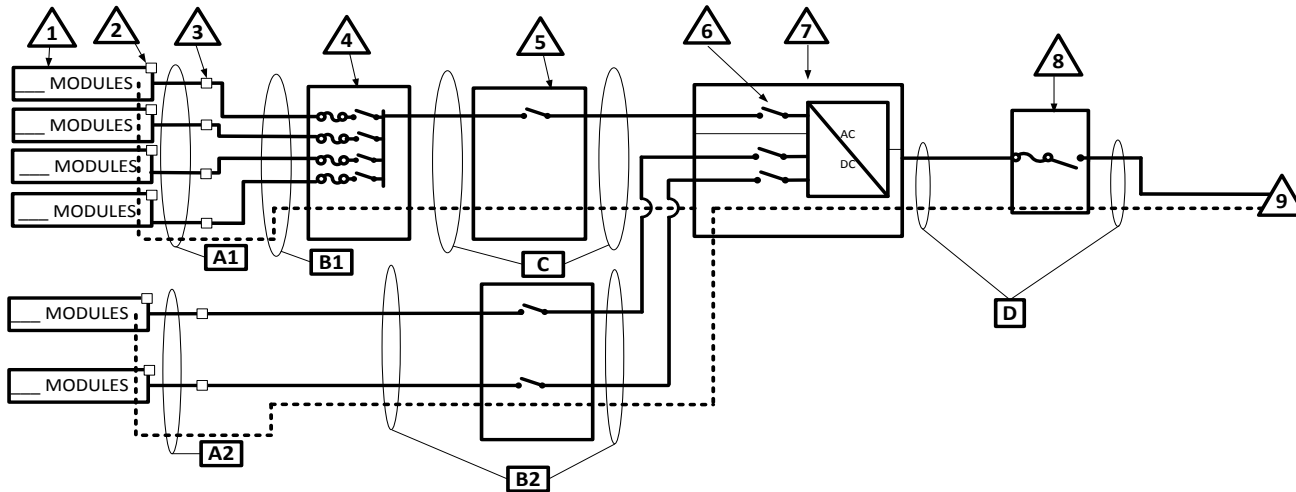
### SINGLE-LINE DIAGRAM #4 – ADDITIONAL INVERTER FOR DIAGRAM #2

#### INVERTER # 2

CHECK A BOX FOR WHETHER SYSTEM IS GROUNDED OR UNGROUNDED:  GROUNDED (INCLUDE GEC)  UNGROUNDED

FOR UNGROUNDED SYSTEMS:

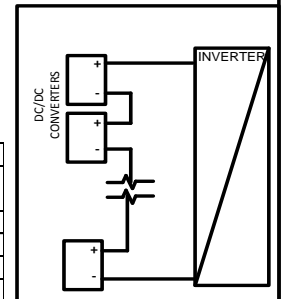
- DC OCPD MUST DISCONNECT BOTH CONDUCTORS OF EACH SOURCE CIRCUIT
- UNGROUNDED CONDUCTORS MUST BE IDENTIFIED PER 210.5(C). WHITE-FINISHED CONDUCTORS ARE NOT PERMITTED.



| COMBINER CONDUCTOR/CONDUIT SCHEDULE |  |                |                      |                    |              |
|-------------------------------------|--|----------------|----------------------|--------------------|--------------|
| □ TAG                               | DESCRIPTION AND CONDUCTOR TYPE                                     | CONDUCTOR SIZE | NUMBER OF CONDUCTORS | CONDUIT/CABLE TYPE | CONDUIT SIZE |
| A1                                  | USE-2 <input type="checkbox"/> OR PV-WIRE <input type="checkbox"/> |                |                      |                    |              |
|                                     | EGC/GEC:   |                |                      |                    |              |
| B1                                  |  |                |                      |                    |              |
|                                     | EGC/GEC:   |                |                      |                    |              |
| C                                   |  |                |                      |                    |              |
|                                     | EGC/GEC:   |                |                      |                    |              |
| D                                   |  |                |                      |                    |              |
|                                     | EGC/GEC:   |                |                      |                    |              |

| NON-COMBINED STRINGS CONDUCTOR/CONDUIT SCHEDULE (IF APPLICABLE) |  |                |                      |                    |              |
|---|--|----------------|----------------------|--------------------|--------------|
| □ TAG   | DESCRIPTION AND CONDUCTOR TYPE                                     | CONDUCTOR SIZE | NUMBER OF CONDUCTORS | CONDUIT/CABLE TYPE | CONDUIT SIZE |
| A2  | USE-2 <input type="checkbox"/> OR PV-WIRE <input type="checkbox"/> |                |                      |                    |              |
|   | EGC/GEC:   |                |                      |                    |              |
| B2  |  |                |                      |                    |              |
|   | EGC/GEC:   |                |                      |                    |              |

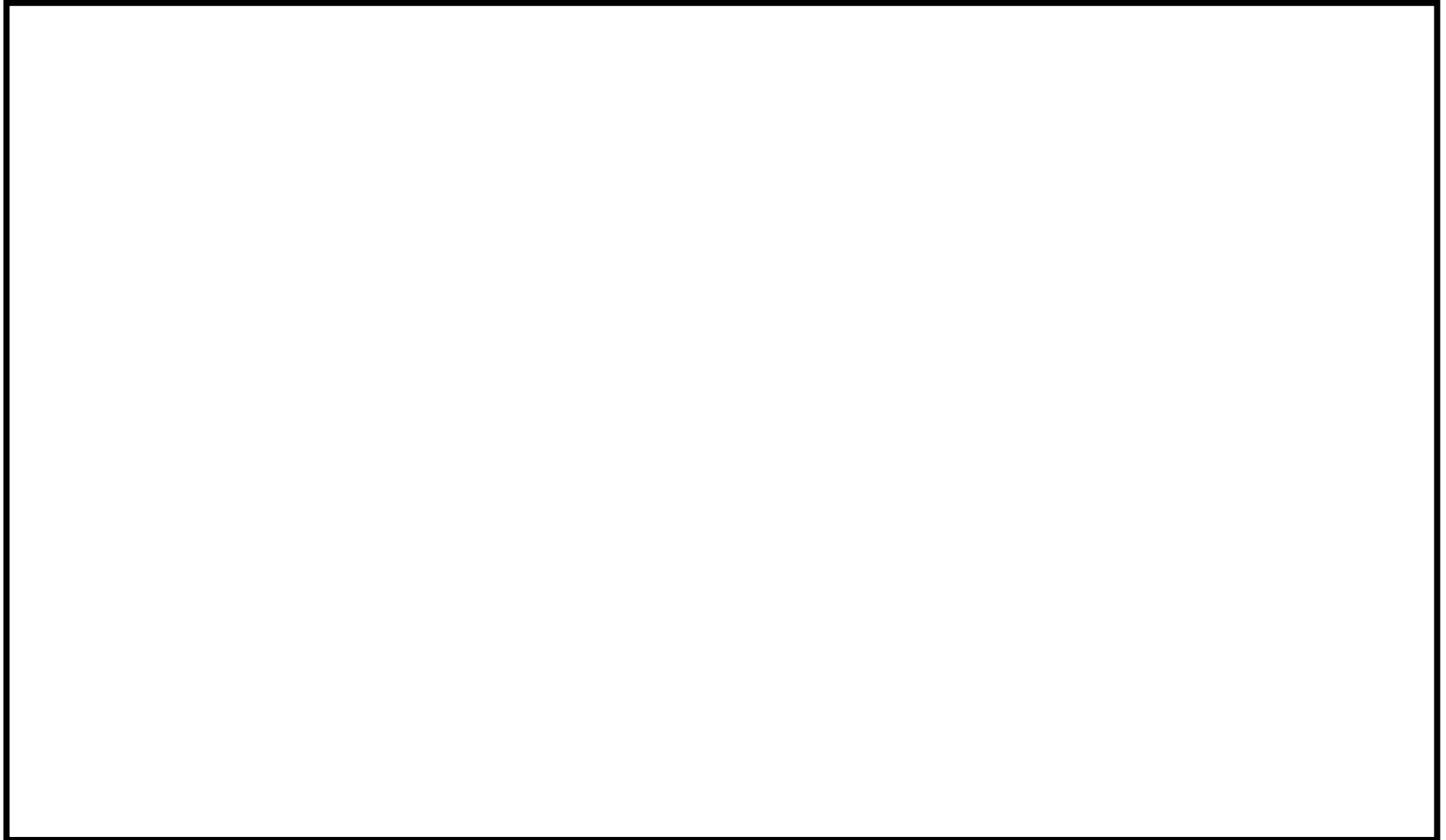
ENTER "N/A" WHERE SUITABLE FOR WHEN NOT USING CONDUIT OR CABLE AS PERMITTED BY CODE



IF DC/DC CONVERTERS ARE USED, THEY ARE RUN IN SERIES (FIXED SOURCE CIRCUIT VOLTAGE DC/DC CONVERTERS)

# **SOLAR PV STANDARD PLAN**

**Roof Layout Diagram for One- and Two-Family Dwellings**



**Items required: roof layout of all panels, modules, clear access pathways and approximate locations of electrical disconnecting means and roof access points.**